

PAR

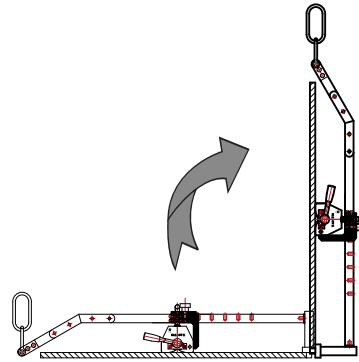
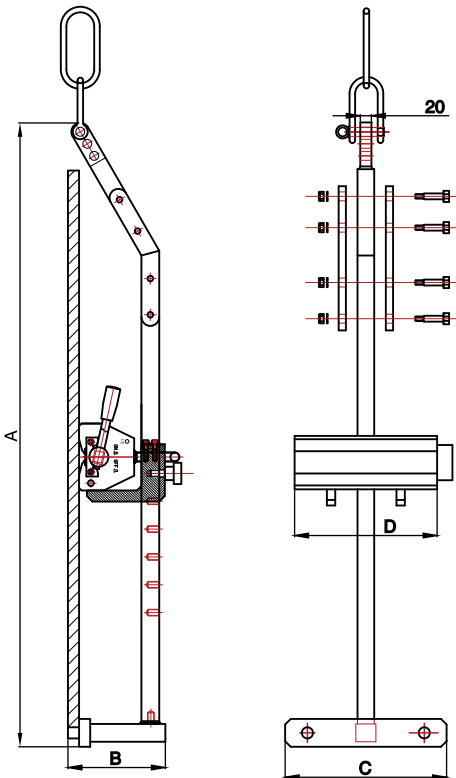
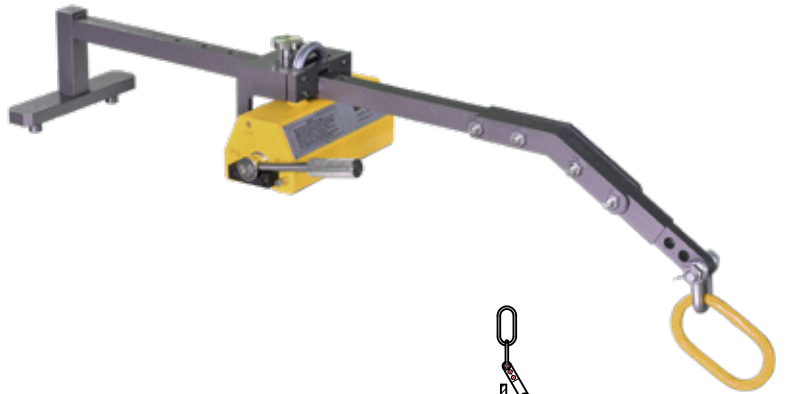
SAFER VERTICAL SYSTEM

PAR system is designed for the vertical handling of plates.

The typical application is loading / unloading a workpiece on a horizontal spindle milling machine. Can be used to flip parts over as needed in a safe manner using simple stalls is possible to fix the workpiece to the magnetic chuck from one side to other one, so as to work both faces.

PAR is easily adaptable to workpieces of different sizes, changing the position of locking pins.

PAR is available for SAFER 300 / 600.



Dimensions mm(inch)

With PAR	SAFER 300	SAFER 600
A	1121 (44.13)	1121 (44.13)
B	175 (6.89)	175 (6.89)
C	290 (11.42)	290 (11.42)
D	256 (10.08)	256 (10.08)
Weight	31 kg/68.2 lbs	42 kg/92.4 lbs

Load Capabilities mm(inch)

With PAR	SAFER 300	SAFER 600
Load Max	300 kg / 660 lbs	600 kg / 1320 lbs
Max length plate	800 (31.50)	1000 (39.37)
Min length plate	300 (11.81)	300 (11.81)
Min thickness plate	4 (0.16)	6 (0.24)
Max width plate	550 (21.65)	700 (27.56)



SOPH provides a line of accessories for SAFER lifters to increase overall flexibility during use of horizontal and vertical material handling applications. The durable design makes them reliable over time with no required maintenance.